



COMMERCIAL DOOR MANUFACTURING STANDARD HINGE LOCATIONS

DOORS AND FRAMES with 1½ Pair of Hinges

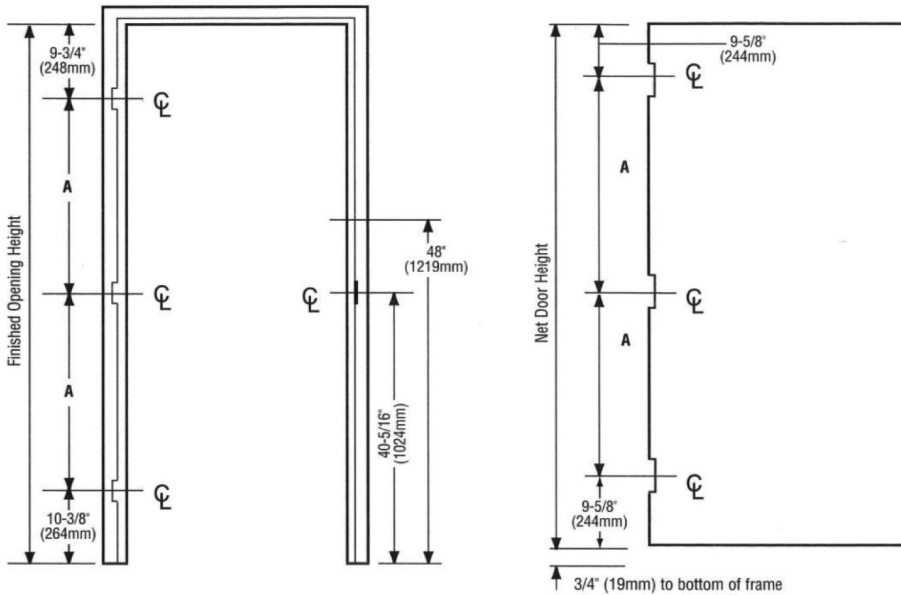


Chart 1

Door Opening Height	Dimension A
6'8" (2032mm)	29 ¹⁵ / ₁₆ " (760mm)
7'0" (2134mm)	31 ¹⁵ / ₁₆ " (811mm)
7'2" (2184mm)	32 ¹⁵ / ₁₆ " (837mm)
7'6" (2286mm)	34 ¹⁵ / ₁₆ " (887mm)

DOORS AND FRAMES with 2 Pair of Hinges

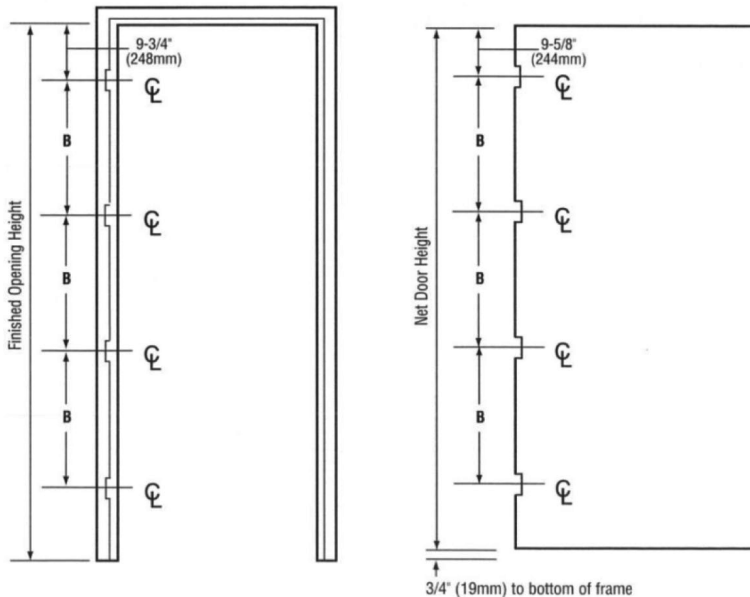


Chart 2

Door Opening Height	Dimension B
6'8" (2032mm) ¹	19 ⁶¹ / ₆₄ " (506mm)
7'0" (2134mm) ¹	21 ¹⁹ / ₆₄ " (541mm)
7'2" (2184mm) ¹	21 ⁶¹ / ₆₄ " (558mm)
7'6" (2286mm) ¹	23 ¹⁹ / ₆₄ " (592mm)
7'10" (2388mm)	24 ⁵ / ₈ " (625mm)
8'0" (2438mm)	25 ¹⁹ / ₆₄ " (643mm)
8'6" (2591mm)	27 ¹⁹ / ₆₄ " (693mm)
8'10" (2692mm)	28 ⁵ / ₈ " (727mm)
9'0" (2743mm)	29 ¹⁹ / ₆₄ " (744mm)
9'6" (2896mm)	31 ¹⁹ / ₆₄ " (795mm)
9'10" (2997mm)	32 ⁵ / ₈ " (829mm)
10'0" (3048mm)	33 ¹⁹ / ₆₄ " (846mm)